



## Utility Box Application

The City Council continues to support community identity by encouraging development and display of public art to promote the history, heritage, culture, and contemporary identity of Moreno Valley. The goal of the Moreno Valley Public Art program is to offer an opportunity for local artists and business owners to create a distinctive sense of place and pride in Moreno Valley city facilities, parks, utility boxes, streets, and open spaces.

## Utility Box Program

Please review the Utility Box guidelines and other important information available on the Public Art website (<https://moval.gov/parks-comm-svc/program-support-arts-utilitybox.html>). Reviewing the information outlined on the website will ensure that your submission meets all requirements.

## IMPORTANT NOTICE

Please be advised that except for your personal email address, residential address and phone number, by submitting this application, you are consenting to the disclosure of this completed application and its contents under the California Public Records Act.

### Requirement Checklist

## Artist Information

<b>Full Name</b>	Brandon Carn
<b>Are you a resident of the City of Moreno Valley</b>	<input type="radio"/> No
<b>Company Name</b>	Brandon Designs and Murals
<b>Contact Person Title</b>	Brandon Carn
<b>E-mail</b>	bmcarn@gmail.com
<b>Phone Number</b>	(951) 442-5387
<b>Address</b>	15116 Moreno Beach Drive. Moreno Valley, CA, 92555 United States

### Briefly describe your experience as an artist or involvement in public art projects:

Please see my CV.

## Social Media

**Website:** <https://brandoncarndesigner.wordpress.com/>

# Project Details

Are you requesting monetary funds (maximum request: \$500)?

Yes

Project Theme:

History

Top Choice- Proposed Project Location (include district and cross streets):

Elsworth Street and Cactus Avenue

Option 2- Proposed Project Location (include district and cross streets):

Frederick Street and Cactus Avenue

Option 3- Proposed Project Location (include district and cross streets):

Heacock Street and Cactus Avenue

Project description:

Utility box wrap of Amelia Earhart, Bob Hope, and General Henry "Hap" Arnold relevant to the celebrity history of March Field.

Rendering of artwork on Utility Box Diagram:



MV-UtilityBox-Project.pdf

Describe the goal/objective of your project:

To highlight the celebrity figures who were active in Moreno Valley and March Field such as Amelia Earhart who trained and spoke there, Bob Hope who started the USO performances there, and General Arnold who was base commander in the 1930s and later first five star general of the US Air Force.

Has the City of Moreno Valley provided funding to you in the past?

No

If yes, please list the date, amount, and project name:

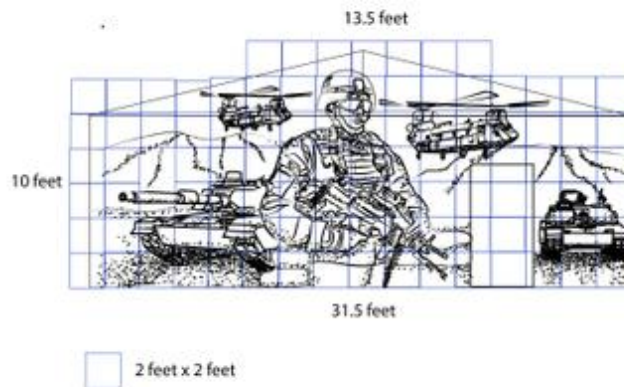
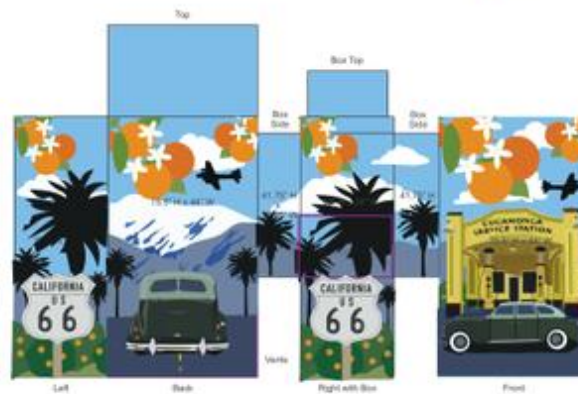
March Field Celebrity History

Please Upload the Following Items Below:

# File Upload



## Utility Box Beautification Program Template



Brandon Carn Artist CV.pdf

## Terms and Conditions

Accepted

# Waiver of Liability

The undersigned, by participating in the City of Moreno Valley Public Art Program ("Art Program"), hereby agrees to waive all rights to pursue any actions, claims or lawsuits against the City of Moreno Valley ("City") and all of its affiliated agencies, and their respective officials, agents, employees or volunteers (collectively, "City Parties"), irrespective of the nature of the injury, damage or liability, and release and hold harmless the City Parties from all claims, actions or lawsuits arising from or in connection with any injuries, death, liability, expenses, losses, claims, suits, actions, judgments, costs, or damages arising from or related to my participation in the Art Program.

I also hereby expressly waive any and all rights and benefits conferred upon me by the provisions of Section 1542 of the California Civil Code which reads as follows:

"A general release does not extend to claims that the creditor or releasing party does not know or suspect to exist in his or her favor at the time of executing the release and that, if known by him or her, would have materially affected his or her settlement with the debtor or released party."

Notwithstanding the provisions of Section 1542, and to implement a full and complete release as set forth, I acknowledge this waiver will be effective as a bar to any and all actions, fees, damages, losses, claims, liabilities and demands of whatsoever character, nature and kind known or unknown, or suspected or unsuspected. I further represent and warrant that I have read this Form, including this waiver provision, and, prior to executing this instrument, I have had an opportunity to consult an attorney about this instrument and specifically about this waiver provision.

## Initials



**By signing below, I acknowledge that I am authorized to sign this application. I have read and agree to abide by the City of Moreno Valley Public Art Program requirements and Waiver of Liability. I understand I will need to complete the following items if my project is approved: artist agreement, new vendor form, W-9, Moreno Valley business license, and provide a certificate of insurance. I understand that this application is subject to City and Art Commission review, approval, and denial.**



**Date Signed**

Friday, August 29, 2025

## Want to Submit in Person?

Please print this application and turn in supporting documents at the Conference & Recreation Center at 14075 Frederick St. Moreno Valley, CA 92553.

## **Next Steps:**

The Public Art team will be in contact with you regarding any additional or supplemental items needed to complete your application. Once your application is complete, you will be invited to present your project to the Moreno Valley Arts Commission. This is a mandatory presentation for all proposed projects. City Staff will be in contact for further details.

## **Questions or comments?**

Contact the Public Art team at [Publicart@moval.org](mailto:Publicart@moval.org), visit [Moval.org/parks](http://Moval.org/parks), or call Claudia Torres at 951-413-3289