



PROPERTY LINE 261.00' +/-

PROPERTY LINE 610.00' +/-

PROPERTY LINE 500.00' +/-

PROPERTY LINE 500.00' +/-

PROPERTY LINE 500.00' +/-

PROPERTY LINE 261.00' +/-

PROPERTY LINE 610.00' +/-

VACANT LOT
3 ACRES

STORQUEST EXISTING FACILITY
7.05 ACRES

(E) COVERED RV PARKING SPACES
28,500 SF

(E) COVERED RV PARKING SPACES
21,375 SF

(E) COVERED RV PARKING SPACES
WITH SOLAR PANELS
21,375 SF

(E) OFFICE/
MANAGER'S HOUSE

(E) GATE

(E) GATE

(E) RETENTION
POND

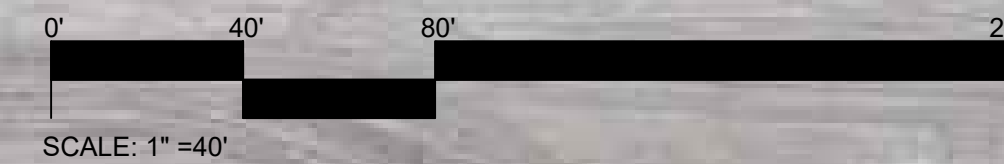
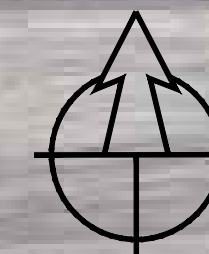
GATE

A

SPRUCE AVENUE

MORENO VALLEY FREEWAY 60

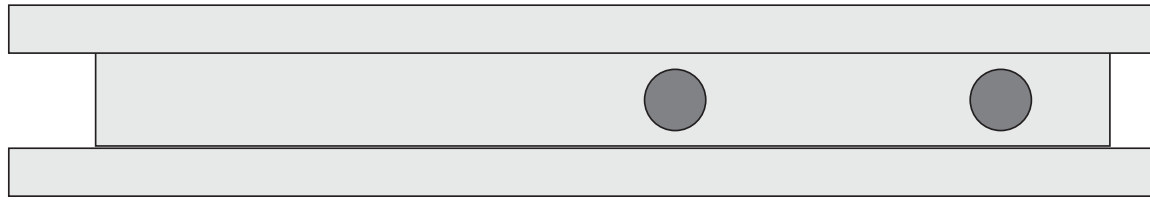
A PROPOSED FREEWAY-ORIENTED SIGN





SIGN PROPOSAL PACKAGE

WEST FACING VIEW



Plan View



A LED Freeway Oriented Sign Specifications Scale: 1/8" = 1'-0"

Manufacture & Install one (1) D/F LED Freeway Oriented Sign, as shown

Specifications:

Description	Specification/Material	Finish	Color
Poles	30" Dia w/ fabricated alum cover	MAP-Satin	Brushed alum
LED Cabinet	Aluminum	MAP-Satin	Brushed alum
LED Display	Outdoor, Double Faced, 10mm, SMD 2727 LED, Front/Rear Service, 7000 NITs Size: 48' wide by 14' tall Pixel Matrix: 900 pixels wide by 255 pixels tall, total 229,500 Pixels		
Logo Cabinet	Aluminum w/ flex face	MAP-Satin	Brushed alum
Logo Graphics	Digitally printed flex face		Per artwork



CA STATE CONTRACTORS LICENSE #826051

150 EXECUTIVE PARK BLVD., SUITE 2100
SAN FRANCISCO, CA 94134
T 415.869.6460
F 415.869.6480
www.adart.com

PROJECT: SQX Moreno Valley
LOCATION: 28720 Spruce Ave, Moreno Valley, CA 92555
DATE: 5/10/24
SALES: Terry Long
DESIGNER: Aubrey Zhu
SCALE: See Callouts
SERVER: SFSERVER/ART DEPARTMENT/2019Artwork/StorQuest (SQX) Moreno Valley

REVISION / DATE / DESCRIPTION

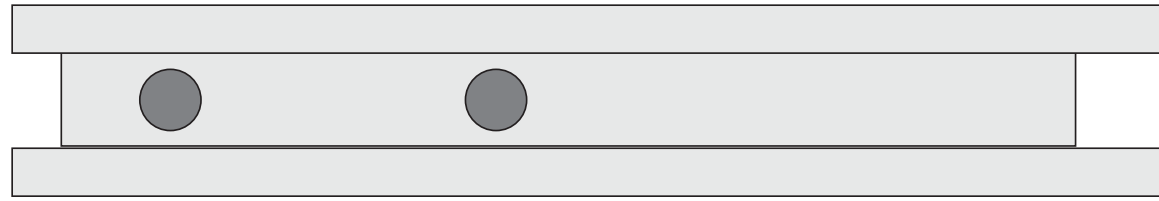
APPROVALS
SALES: _____
CUSTOMER: _____
LANDLORD: _____

CONCEPTUAL DRAWINGS ONLY:
Dimensions are approximate and may change due to construction factors or exact field conditions. Colors shown are as close as printing will allow. Always follow written specifications.

ALL RIGHTS RESERVED:
This design has been created for you in connection with a project being planned for you by ADART. It may not be shown to anyone outside your organization, and may not be reproduced in any manner without prior consent.

SHEET
2

EAST FACING VIEW



Plan View



A LED Freeway Oriented Sign Specifications Scale: 1/8" = 1'-0"

Manufacture & Install one (1) D/F LED Freeway Oriented Sign, as shown

Specifications:

Description	Specification/Material	Finish	Color
Poles	30" Dia w/ fabricated alum cover	MAP-Satin	Brushed alum
LED Cabinet	Aluminum	MAP-Satin	Brushed alum
LED Display	Outdoor, Double Faced, 10mm, SMD 2727 LED, Front/Rear Service, 7000 NITs Size: 48' wide by 14' tall Pixel Matrix: 900 pixels wide by 255 pixels tall, total 229,500 Pixels		
Logo Cabinet	Aluminum w/ flex face	MAP-Satin	Brushed alum
Logo Graphics	Digitally printed flex face		Per artwork



CA STATE CONTRACTORS LICENSE #826051

150 EXECUTIVE PARK BLVD., SUITE 2100
SAN FRANCISCO, CA 94134
T 415.869.6460
F 415.869.6480
www.adart.com

PROJECT: SQX Moreno Valley

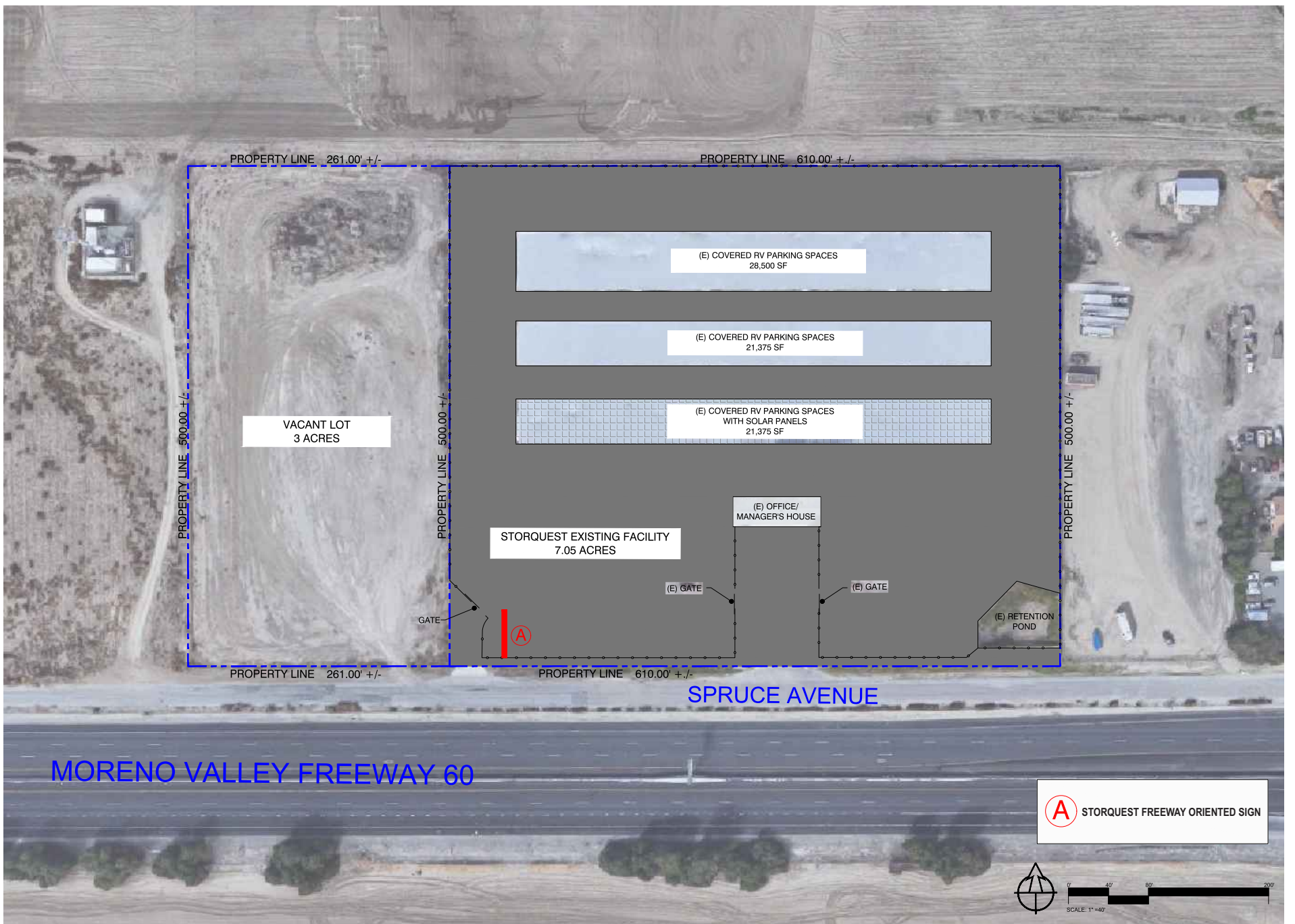
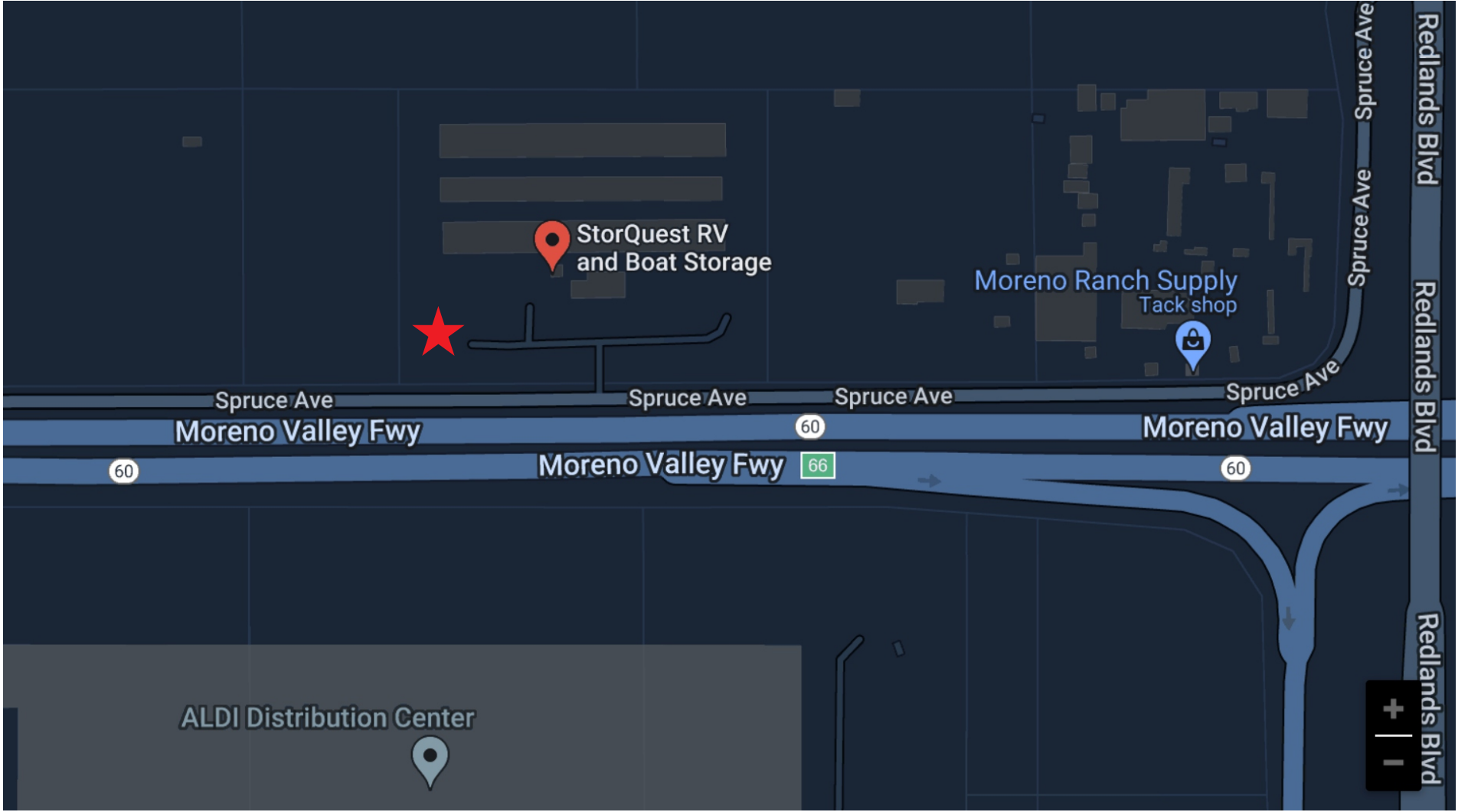
LOCATION: 28720 Spruce Ave, Moreno Valley, CA 92555
DATE: 5/10/24
SALES: Terry Long
DESIGNER: Aubrey Zhu
SCALE: See Callouts
SERVER: SFSERVER/ART DEPARTMENT/2019Artwork/StorQuest (SQX) Moreno Valley

REVISION / DATE / DESCRIPTION

APPROVALS
SALES: _____
CUSTOMER: _____
LANDLORD: _____

CONCEPTUAL DRAWINGS ONLY:
Dimensions are approximate and may change due to construction factors or exact field conditions. Colors shown are as close as printing will allow. Always follow written specifications.

ALL RIGHTS RESERVED:
This design has been created for you in connection with a project being planned for you by ADART. It may not be shown to anyone outside your organization, and may not be reproduced in any manner without prior consent.



ADART 150 EXECUTIVE PARK BLVD., SUITE 2100
 SAN FRANCISCO, CA 94134
 T 415.869.6460
 F 415.869.6480
 www.adart.com
 CA STATE CONTRACTORS LICENSE #826051

PROJECT: SQX Moreno Valley
 LOCATION: 28720 Spruce Ave, Moreno Valley, CA 92555
 DATE: 5/10/24
 SALES: Terry Long
 DESIGNER: Aubrey Zhu
 SCALE: See Callouts
 SERVER: SFSERVER/ART DEPARTMENT/2019Artwork/StorQuest (SQX) Moreno Valley

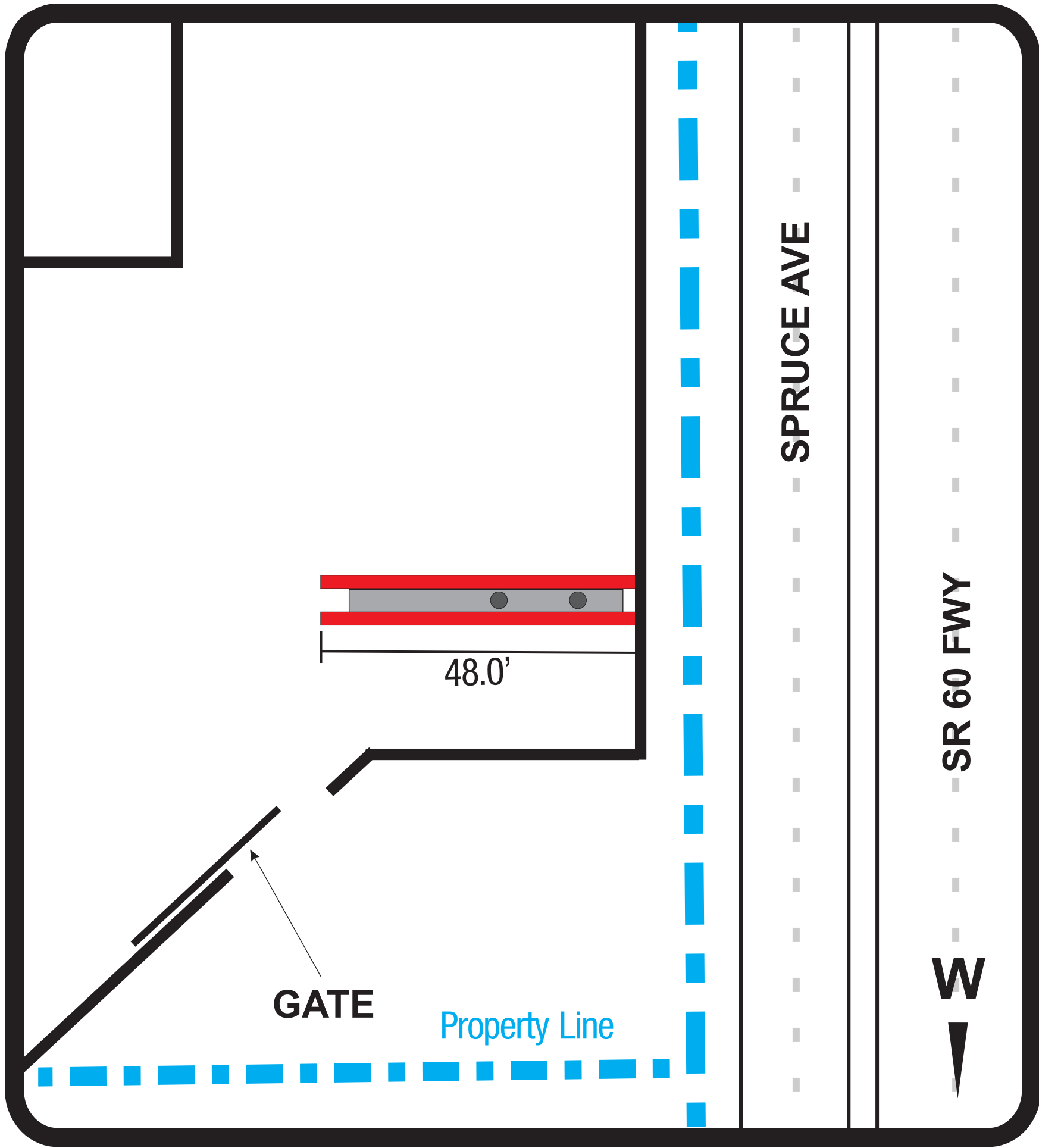
REVISION / DATE / DESCRIPTION

APPROVALS
SALES: _____
CUSTOMER: _____
LANDLORD: _____

CONCEPTUAL DRAWINGS ONLY:
 Dimensions are approximate and may change due to construction factors or exact field conditions. Colors shown are as close as printing will allow. Always follow written specifications.

ALL RIGHTS RESERVED:
 This design has been created for you in connection with a project being planned for you by ADART. It may not be shown to anyone outside your organization, and may not be reproduced in any manner without prior consent.

10.0'
Building Set Back



SIGN PLACEMENT

Scale: N.T.S.



150 EXECUTIVE PARK BLVD., SUITE 2100
SAN FRANCISCO, CA 94134
T 415.869.6460
F 415.869.6480
www.adart.com

CA STATE CONTRACTORS LICENSE #826051

PROJECT: SQX Moreno Valley

LOCATION: 28720 Spruce Ave, Moreno Valley, CA 92555
DATE: 5/10/24
SALES: Terry Long
DESIGNER: Aubrey Zhu
SCALE: See Callouts
SERVER: SFSERVER/ART DEPARTMENT/2019Artwork/StorQuest (SQX) Moreno Valley

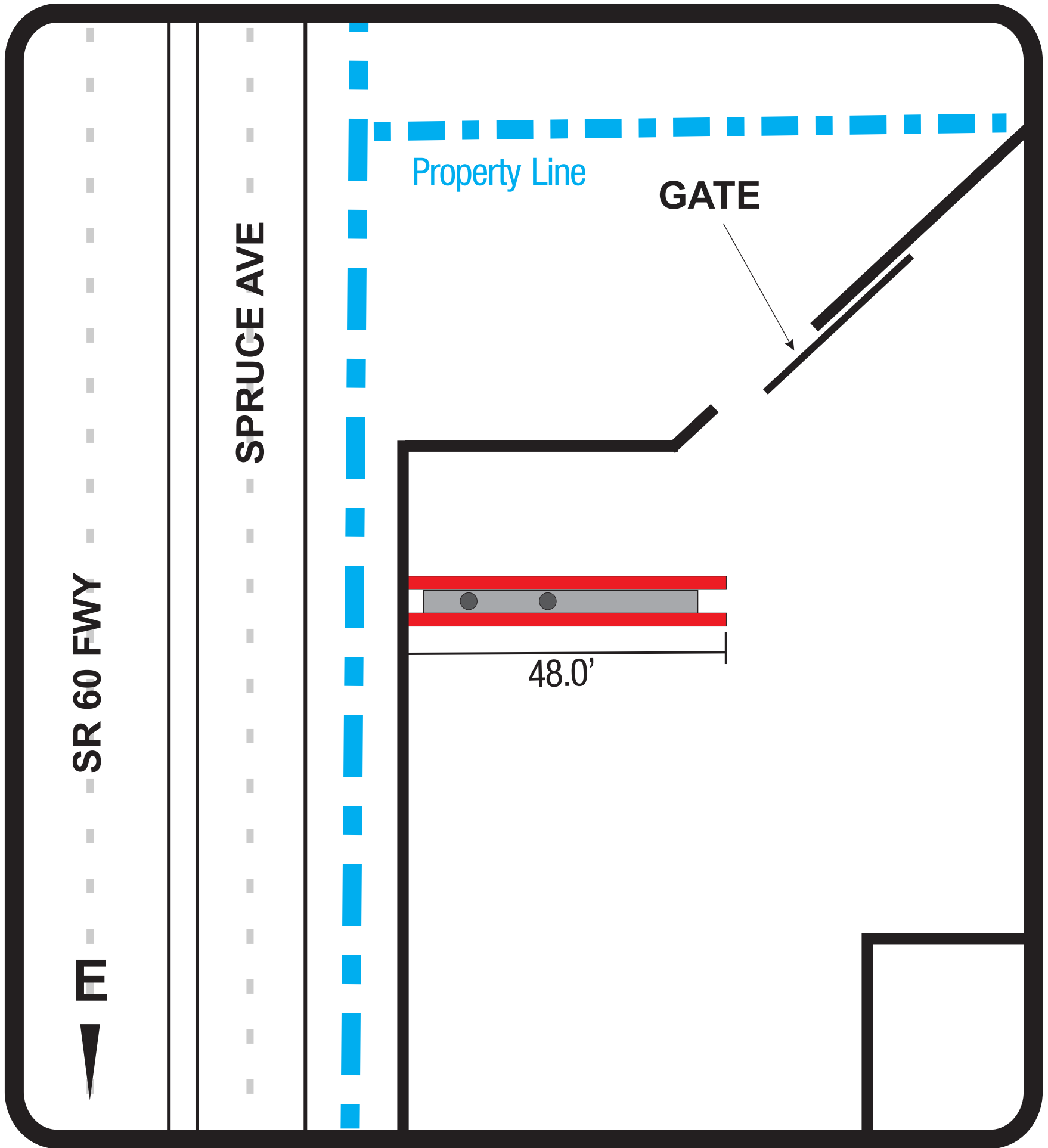
REVISION / DATE / DESCRIPTION

APPROVALS
SALES:
CUSTOMER:
LANDLORD:

CONCEPTUAL DRAWINGS ONLY:
Dimensions are approximate and may change due to construction factors or exact field conditions. Colors shown are as close as printing will allow. Always follow written specifications.

ALL RIGHTS RESERVED:
This design has been created for you in connection with a project being planned for you by ADART. It may not be shown to anyone outside your organization, and may not be reproduced in any manner without prior consent.

10.0'
Building Set Back



SIGN PLACEMENT

Scale: N.T.S.



150 EXECUTIVE PARK BLVD., SUITE 2100
SAN FRANCISCO, CA 94134
T 415.869.6460
F 415.869.6480
www.adart.com

CA STATE CONTRACTORS LICENSE #826051

PROJECT: SQX Moreno Valley

LOCATION: 28720 Spruce Ave, Moreno Valley, CA 92555

DATE: 5/10/24

SALES: Terry Long

DESIGNER: Aubrey Zhu

SCALE: See Callouts

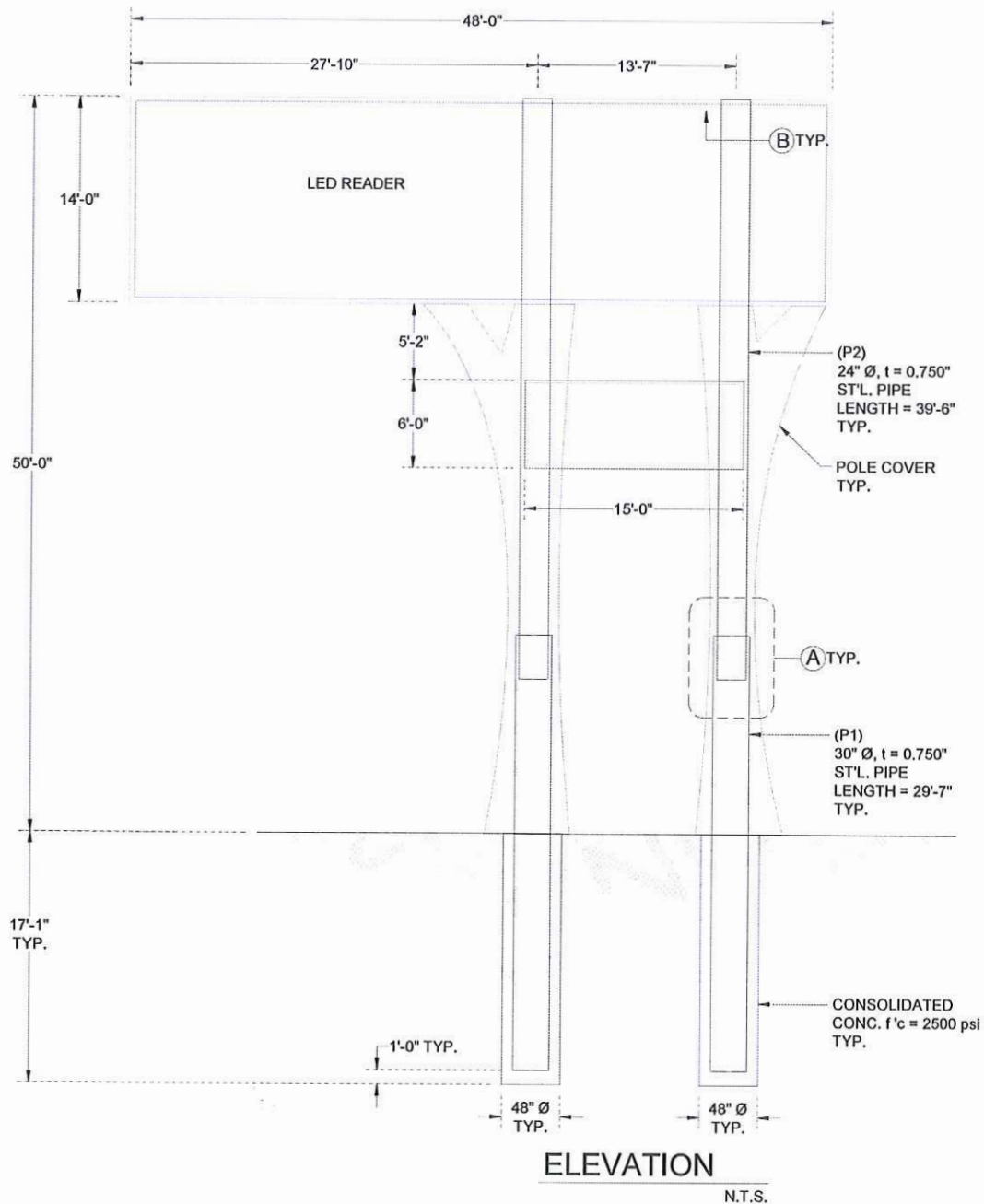
SERVER: SFSERVER/ART DEPARTMENT/2019Artwork/StorQuest (SQX) Moreno Valley

REVISION / DATE / DESCRIPTION

APPROVALS
SALES: _____
CUSTOMER: _____
LANDLORD: _____

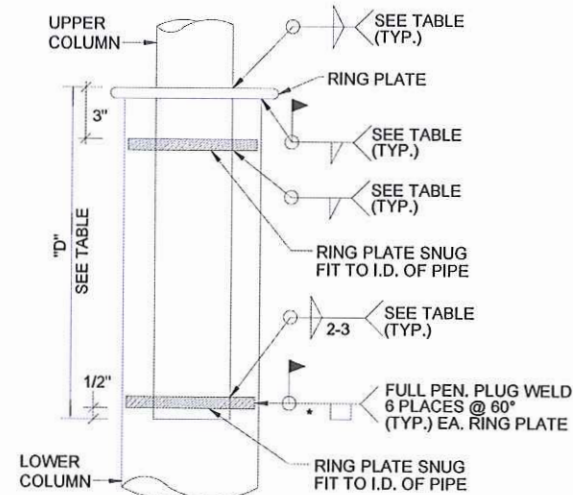
CONCEPTUAL DRAWINGS ONLY:
Dimensions are approximate and may change due to construction factors or exact field conditions. Colors shown are as close as printing will allow. Always follow written specifications.

ALL RIGHTS RESERVED:
This design has been created for you in connection with a project being planned for you by ADART. It may not be shown to anyone outside your organization, and may not be reproduced in any manner without prior consent.



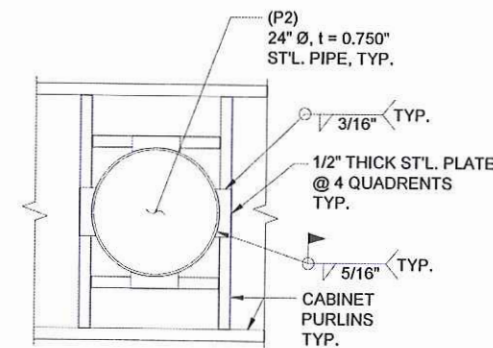
ELEVATION

N.T.S.



A STEP DOWN DETAIL

N.T.S.



B CONNECTION DETAIL

(8 PLACES)

N.T.S.

(SPECIAL INSPECTION REQUIRED FOR FIELD WELD)

UPPER COL. Ø	"D"	WELD SIZE	RING PL.
24" Ø	36"	5/16"	5/8"

* LENGTH OF PLUG WELDS TO BE 1/8 OF LOWER COLUMN Ø, MINIMUM 1/2"

N.T.S.

N.T.S.

Sign Design Based On 2022 CBC

Job # JTS_80124
 Project Moreno Valley Pylon
 Job Location 28720 Spruce Ave.
 Moreno Valley, CA

INPUT DATA

Exposure category (B, C or D)	=	C
Risk Category	=	II
Ultimate Design Windspeed	V_{ULT}	= 100 MPH
Topographic factor	K_{zt}	= 1 Flat
Height of the sign	h	= 50.00 FT
Average Vertical dimension (for wall, $s = h$)	s	= 21.91 FT
Horizontal dimension	B	= 48.00 FT
Dimension of return corner	L_r	= 3.00 FT

ANALYSIS

Velocity pressure	$q_s = 0.00256 K_z K_d K_e V^2 K_f$	=	23.72 PSF
where:			
q_z = velocity pressure at height h .	(Eq. 26.10-1 page 268)		
K_z = velocity pressure exposure coefficient		=	1.09
evaluated at height above gRnd. level, h	(Tab. 26.10-1, page 268)		
K_d = wind directionality factor.	(Tab. 26.6-1, page 266)	=	0.85
K_e = ground elevation factor, see (Tab. 26.9-1, page 268)		=	1.00

Wind Force Case A: resultant force through geometric center

Max horizontal wind pressure = $p = q_s G C_f$	=	35 PSF
where: G = gust effect factor. (Sec. 26.11-1, page 269)	=	0.85
C_f = net force coefficient. (Fig. 29.3-1, page 323)	=	1.73
$A_g = B s$ = the gross area	=	1051.63 FT ²
Estimated sign cabinet weight	=	6641 LBS.

DESIGN SUMMARY

Allowable Stress Design Wind Factor =	0.60
Design Wind Pressure =	$0.6 \times p = 20.94$ PSF
Design Windforce, F =	$20.94 \times A_s = 22.02$ KIPS
Moment Arm =	30.25 FT
Design Moment =	$F \times \text{Moment Arm} = 666.07$ KIP-FT

Consider Tributary Area of Left Pole

Tributary Area =	713.12 FT ²
Design Windforce, F =	$20.94 \times A_s = 14.93$ KIPS
Moment Arm =	36.42 FT
Design Moment = $F \times \text{Moment Arm}$ =	543.79 KIP-FT

Footing Design (Nonconstrained)

Diameter =	4.00 FT
Soil Pressure =	150.00 PSF/FT
S_1 =	1705.03 PSF
A =	5.12 FT
EMBED. =	17.05 FT

48" DIA.	DEPTH = 17' - 1"
----------	------------------

(P1) Pole Design

Sec. Mod. Req'd.	USE	A53 GR. B	$F_y = 35000$ PSI
$S = 328.17$	30" DIA., $t = 0.750"$		$S = 459.70$ IN ³
Shear torque	Torsion = 106445	LB-FT	$J = 13783.00$ IN ⁴
$t = 1300$			O.D. = 30.00 IN
Shear Stress			$A = 64.21$ IN ²
$f_v = 686$			
Total V Stress =	2076		allow $f_v = 14000$
Unity =	$(328.17 / 459.70) + (2076 / 14000) = 0.86$		< 1 (OK)

(P2) Pole Design

Sec. Mod. Req'd.	USE	A53 GR. B	$F_y = 35000$ PSI
$S = 209.44$	24" DIA., $t = 0.750"$		$S = 289.08$ IN ³
Shear torque	Torsion = 106002	LB-FT	$J = 6932.00$ IN ⁴
$t = 2202$			O.D. = 24.00 IN
Shear Stress			$A = 51.06$ IN ²
$f_v = 862$			
Total V Stress =	3064		allow $f_v = 14000$
Unity =	$(209.44 / 289.08) + (3064 / 14000) = 0.94$		< 1 (OK)

NOTES :

GENERAL :

- SIGN DESIGN IS BASED ON ADEQUATE EXISTING SUPPORT ELEMENTS.
- PROVIDE ISOLATION OF DISSIMILAR MATERIALS.
- COAT ALUMINUM IN CONTACT WITH CONCRETE WITH ZINC RICH PAINT.
- PROVIDE FULLY WELDED END CAPS AT EXPOSED OPEN ENDS OF STEEL / ALUM. TUBES, MATCH THICKNESS LIKE FOR LIKE.
- SLOPE TOP OF EXPOSED FOOTING AWAY FROM DIRECT BURIAL POSTS
- ALL EXPOSED STEEL TO BE PRIMED & PAINTED (POWDER COAT AS AN OPTION) OR ALTERNATIVELY USE GALVANIZED STEEL.

ANCHORS :

- BRAND NAME APPROVED ANCHORS SPECIFIED ON PLANS MAY BE SUBSTITUTED BY APPROVED EQUAL.

WELDING :

STEEL

- DESIGN AND FABRICATION ACCORDING TO AWS D1.1 / D1.3 & D1.6
- AWS CERTIFICATION REQUIRED FOR ALL STRUCTURAL WELDERS.

ALUMINUM

- DESIGN AND FABRICATION ACCORDING TO AWS D1.2. ALL WELDING IN ACCORDANCE WITH THE LATEST EDITION OF THE AWS A.5.10.
- FILLER ALLOYS PER TABLES M.9.1 & M.9.2 OF 2020 ALUMINUM DESIGN MANUAL.

STEEL :

- DESIGN AND FABRICATION ACCORDING TO 2022 CBC
- PLATE, ANGLE, CHANNEL TEE: ASTM A36
- WIDE FLANGE: ASTM A992
- ROUND PIPE: ASTM A53 GRADE B OR EQUIVALENT.
- HSS ROUND, SQUARE, AND RECTANGULAR TUBE: ASTM A500 GRADE B OR EQUIVALENT.
- STAINLESS STEEL ROUND, SQUARE, AND RECTANGULAR TUBE: ASTM A276 T304 OR EQUIVALENT.
- ALL ANCHORS BOLTS SHOULD BE: ASTM F1554 OR ASTM F593 T304
- ALL STEEL MACHINED BOLTS SHOULD BE: ASTM A307 OR ASTM A449
- ALL STAINLESS STEEL MACHINED BOLTS SHOULD BE: ASTM F593 T304
- ALL BOLTS TO BE ZINC COATED: ASTM B633
- DEFORMED REINFORCING REBAR: ASTM A615 GRADE 60.

ALUMINUM :

- DESIGN AND FABRICATION ACCORDING TO 2020 ALUM. DESIGN MANUAL
- PLATES, ANGLES, CHANNELS, TEE, AND SQUARE TUBING: ALUMINUM
- ALLOY 6061 - T6 WITH 0.098 LBS PER CUBIC INCH.

CONCRETE :

- DESIGN AND CONSTRUCTION ACCORDING TO ACI 318-19
- COMPRESSIVE STRENGTH AT 28 DAYS, $f'_c = 2500$ PSI MINIMUM.
- CEMENT TYPE II OR IV. W/C RATIO 0.45 BY WEIGHT FOR PIER AND CAISSON
- FOOTINGS CONCRETE MUST BE POURED AGAINST UNDISTURBED EARTH.
- MAINTAIN A MINIMUM 3" CONCRETE COVER OVER ALL EMBEDDED STEEL.

SOIL:

- LATERAL SOIL BEARING PER IBC CLASS 4 TABLE 1806.2 (150 PSF/FT), MODIFIED PER SECTION 1806.3.4.



www.yjinc.com
 P.O. BOX 802050
 SANTA CLARITA, CA. 91380
 TEL. (661)259-0700 FAX. (661)259-0900

SHEET TITLE:

MORENO VALLEY
 PYLON

DRN BY: K.S.P.	DATE LAST REVISED: Apr 25, 2024	REV. NO.	REV. DATE	REVISED BY	PROJECT JOB #: JTS_80124_Moreno Valley_Pylon_Spruce Ave_Moreno Valley CA.dwg
CHK BY: T.J.	PROJ. START DATE: Apr 08, 2024	1	04/24/2024	K.S.P.	PROJECT LOCATION: MORENO VALLEY 28720 SPRUCE AVENUE MORENO VALLEY, CA
REV BY: T.J.	SCALE: AS SHOWN	2	-/-	-	
PLOTTED BY: Jessica Ocampo	ON 4/25/2024 3:16:09 PM	3	-/-	-	

SHEET #
 1 OF 1